

NORMAQUICK® PS3


oep
ORIGINAL EQUIPMENT PARTS





Corresponding spigots available


Secure connection for cooling water and heating hoses


- ✓ Time and cost reduction due to snap assembly without tool
- ✓ Application in extremely narrow spaces thanks to compact dimensions
- ✓ Optimal tightness through integrated seal

 Air Intake & Induction

 Exhaust Systems

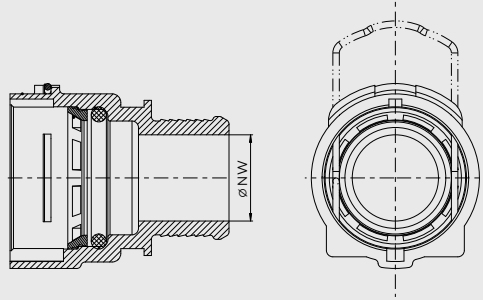
 Cooling Systems

 Fuel & Oil Systems

 Turbocharger Installations

 Fixing & Retaining

NORMAQUICK® PS3



Applications

PS3 connectors with the corresponding spigots are used for leak proof connection of cooling water lines or heating lines in passenger and commercial vehicles.

Material

Housing	PA66-GF30
O-ring	EPDM (peroxide cured)
Fastening ring	PA66-GF30
Retainer (spring)	Stainless steel 1.4310 (DIN EN 10270-3)

Article number	Description	∅ NW (mm)	Spigot
0702 8003 006	PS3 NW06 – 0°	6	n/a
0702 8008 006	PS3 NW06 – 90°	6	n/a
0702 7002 008	PS3 NW08 – 0°	8	n/a
0702 7703 008	PS3 NW08 – 90°	8	n/a
0702 6009 012	PS3 NW12 – 0°	12	Art. no. 0702 4010 012 Spigot PS3 NW12 – 0°
0702 6008 012	PS3 NW12 – 90°	12	Art. no. 0702 4010 012 Spigot PS3 NW12 – 0°
0702 7019 016	PS3 NW16 – 0°	16	Art. no. 0702 4007 016 Spigot PS3 NW16 – 0°
0702 6020 016	PS3 NW16 – 90°	16	Art. no. 0702 4007 016 Spigot PS3 NW16 – 0°
0702 7003 020	PS3 NW20 – 0°	20	Art. no. 0702 4005 020 Spigot PS3 NW20 – 0°
0702 7004 020	PS3 NW20 – 90°	20	Art. no. 0702 4005 020 Spigot PS3 NW20 – 0°
0702 6007 026	PS3 NW26 – 0°	26	Art. no. 0702 6008 026 Spigot PS3 NW26 – 0°
0702 7011 026	PS3 NW26 – 90°	26	Art. no. 0702 6008 026 Spigot PS3 NW26 – 0°
0702 7018 032	PS3 NW32 – 0°	32	Art. no. 0702 4088 032 Spigot PS3 NW32 – 0°
0702 7042 032	PS3 NW32 – 90°	32	Art. no. 0702 4088 032 Spigot PS3 NW32 – 0°

More benefits

- ✓ The design complies with the standard dimensions of the VDA guideline
- ✓ Resistance to coolant medium thanks to O-ring consisting of peroxide cured EPDM
- ✓ PA66 (GF30 housing and retainer) stabilized against heat and hydrolysis effect for direct contact with coolant
- ✓ Made from recyclable materials

NORMAQUICK® PS3 is part of a broad portfolio. Discover more!



NORMAFLEX® Fluid Lines



Spigot for PS3



Do you have questions or require a personal consultation?
 Feel free to contact our Automotive Aftermarket Team! Hotline +44 1635 574 005
 Visit our website for more information about our Automotive Aftermarket products: norma-aftermarket.com

