

NORMA® TORRO® W2 Display (100 pcs)



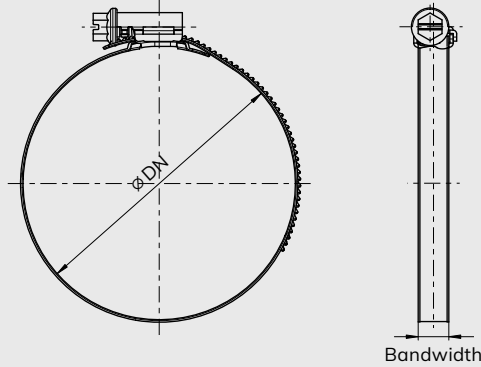
Well-arranged display makes it easy to find the right clamp size

✓ Functional and attractive design

✓ Clamping range from 8 up to 80 mm

Air Intake & Induction	Exhaust Systems
Cooling Systems	Fuel & Oil Systems
Turbocharger Installations	Fixing & Retaining

NORMACLAMP® TORRO®



Applications

The TORRO® multi-range hose clamp is perfectly suited for demanding automotive applications. It scores with a particularly wide range of applications and reliable quality. Therefore, the TORRO® is the ideal choice for applications in the automotive sector where high mechanical loads occur.

Material

Group W2

Part number	Description	Clamping range \varnothing DN (mm)	Bandwidth (mm)	Packaging quantity (pcs)
0126 9702 010	NORMA® TORRO® W2 Display (100 pcs)	8–80	7,5–9	1
The display contains:				
0116 7602 010	TORRO® 8-12/7,5 C6 W2	8–12	7,5	10
0126 7702 013	TORRO® 8-16/9 C7 W2	8–16	9	10
0126 7702 017	TORRO® 12-22/9 C7 W2	12–22	9	10
0126 7702 021	TORRO® 16-27/9 C7 W2	16–27	9	10
0126 7702 026	TORRO® 20-32/9 C7 W2	20–32	9	10
0126 7702 032	TORRO® 25-40/9 C7 W2	25–40	9	10
0126 7702 041	TORRO® 32-50/9 C7 W2	32–50	9	10
0126 7702 050	TORRO® 40-60/9 C7 W2	40–60	9	10
0126 7702 060	TORRO® 50-70/9 C7 W2	50–70	9	10
0126 7702 070	TORRO® 60-80/9 C7 W2	60–80	9	10

Technical benefits

- ✓ Ideally suited for applications with high mechanical loads
- ✓ Hose-friendly design thanks to embossed band and rounded band interiors
- ✓ Even distribution of clamping forces prevents leaks

**NORMA® TORRO® W2 Display (100 pcs)
is part of a broad portfolio. Discover more!**



ABA Mini S10/Nova S20 Display DIN (244 pcs)



NORMA® TORRO® 9 W2 Assortment (50 pcs)



Do you have questions or require a personal consultation?
Feel free to contact our Norma Team! Tel.: +49 6181-403-0
Visit our website for more information about our products: www.norma-connects.com

